

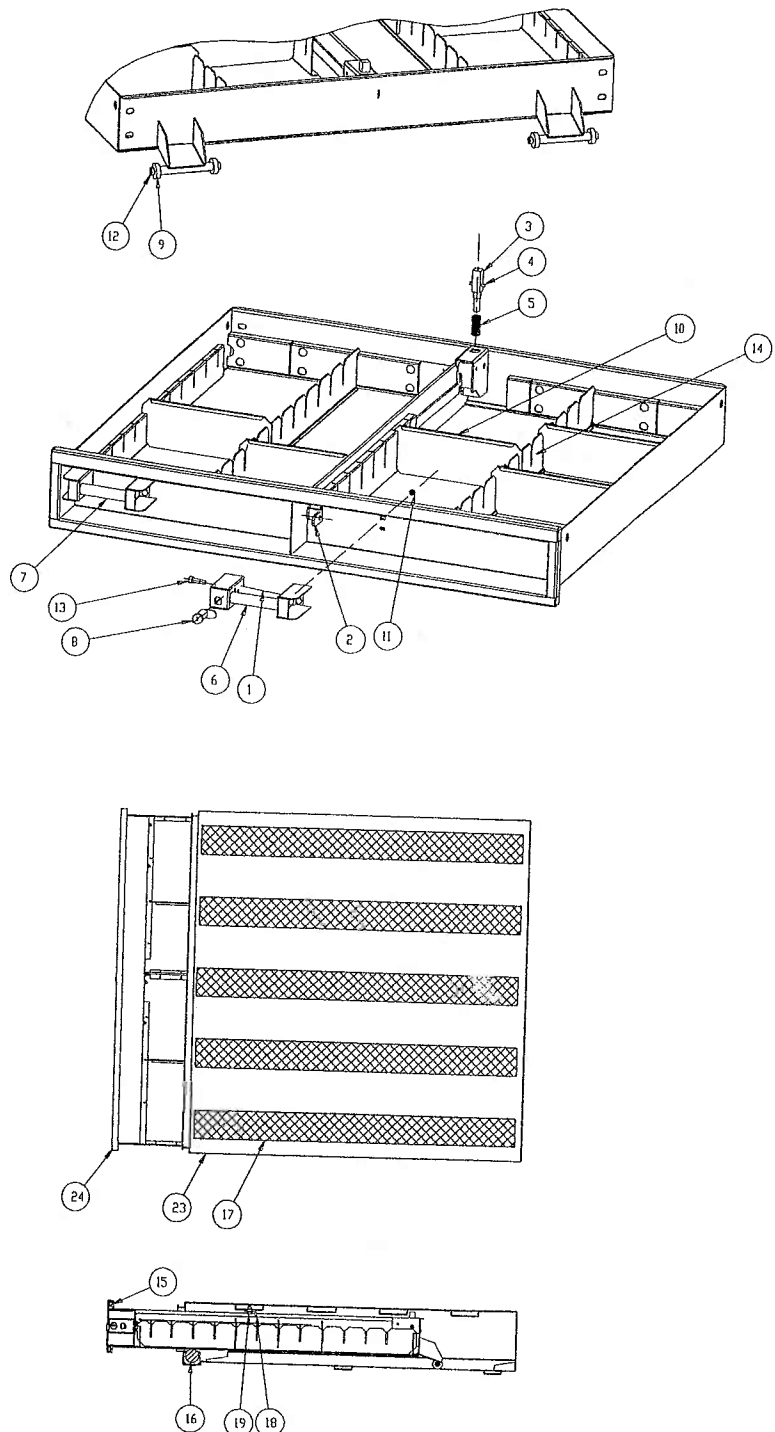
JOBBOX

Instruction Sheet

Replacement Parts List
 For Model No. 661980, 662980, 663980, 664980,
 665980, 666980, 667980, & 668980

REPLACEMENT PARTS

ITEM NO.	PART NO.	DESCRIPTION
1	10318-466	Handle Bar
2	10318-473	Lock Bar
3	10318-476	Slide Lock
4	10318-477	1/4" Diameter Pin
5	10318-478	Slide Lock Spring
6	10318-480	Locking Handle
7	10318-481	Non-Locking Handle (N/A To Some Models)
8	10318-483	Cam Lock
9	10318-512	Bearing
10	Call Cust Serv	Galvanized Dividers
11	82757	1/4"-20 Lock Nut
12	182136	5/16" X 3/4" Shoulder Bolt
13	182138	3/8" X 1/2" Shoulder Bolt
14	6640023	Adjustable Center Divider
15	10060-5	Weather Seal
16	10318-439	Roller
17	10318-513	Safety Walk
18	10318-563	Drawer Stop
19	182132	3/8" X 3/4" Bolt
20	182133	3/8" X 1" Bolt (Not Shown)
21	182134	Rivet Nut (Not Shown)
22	10318-482	Mounting Bracket (Not Shown)
23	66100-01	Outer Housing Weldment (661980)
23	66200-01	Outer Housing Weldment (662980)
23	66300-01	Outer Housing Weldment (663980)
23	66400-01	Outer Housing Weldment (664980)
23	66500-01	Outer Housing Weldment (665980)
23	66600-01	Outer Housing Weldment (666980)
23	66700-01	Outer Housing Weldment (667980)
23	66800-01	Outer Housing Weldment (668980)
24	66100-03	Drawer Weldment (661980)
24	66200-03	Drawer Weldment (662980)
24	66300-03	Drawer Weldment (663980)
24	66400-03	Drawer Weldment (664980)
24	66500-03	Drawer Weldment (665980)
24	66600-03	Drawer Weldment (666980)
24	66700-03	Drawer Weldment (667980)
24	66800-03	Drawer Weldment (668980)



Instruction Sheet

For Model No. 661980, 662980, 663980, & 664980

Mounting Instructions

ALWAYS Check for underside interferences before drilling mount holes. Use blind fasteners when using a nut and bolt are not possible.

Use enclosed pattern to locate holes. Mark hole locations. Verify that there are no interferences on the underside of the surface.

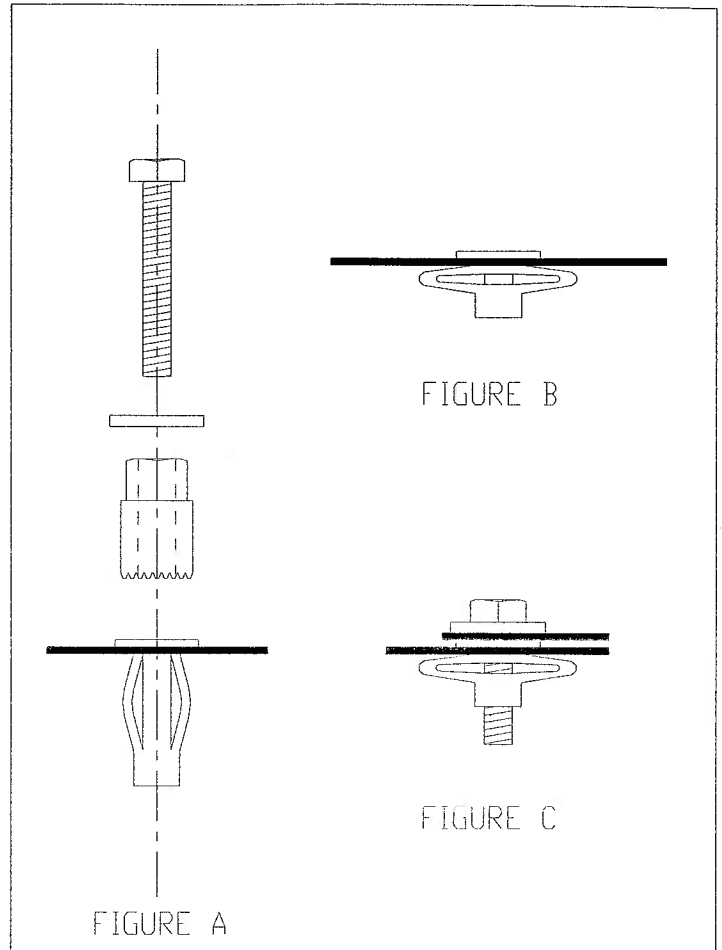
Drill ½" diameter hole. Insert blind fastener into hole. Use the hardened bolt and set tool shown in FIGURE A to set blind fastener. Add drop of oil between washer and hardened bolt. Tighten bolt, it will become easier to tighten after the fastener starts to deform. Tighten until fastener has bottomed out, refer to FIGURE B.

Attach rear mounting brackets with enclosed hardware. Align the box with mounting brackets. Tighten front bolts to hold box securely in place.

Drawer Removal

CAUTION larger drawer units should be handled by more than one person when removing drawer. Failure to do so could result in injury.

Open drawer until it reaches hard stop. Remove hard stops and place in box. Remove the drawer completely by dropping the drawer at approximately 20 degrees below horizontal and lifting the rear guide rollers out of the track.



Jobox Five-Year Limited Warranty

This warranty is made by Delta Consolidated Industries, Inc. (DCI) to the original purchaser of this product and it is valid for five (5) years from date of the purchase upon presentation of a copy of the original sales receipt at the time of the warranty claim.

DCI warrants that this product is free from defects in materials and workmanship at the time of the sale. This warranty does not cover damage caused by accident or unreasonable or unintended use of the product. Modification, disassembly and/or reassembly of the product will invalidate this warranty.

Damage to the contents of the box, vehicle or other consequential damages are excluded from this warranty.

In the case of a nonconforming product, you should return the product to the place where it was purchased. The seller will either repair or replace the product at their option if the product should prove to be defective in material or workmanship.

If you feel that you have not been offered a satisfactory resolution to your warranty issue, you may submit your request in writing for further consideration to the Warranty Department, Delta Consolidated Industries, Inc., P.O. Box 1846, Jonesboro, AR 72403-1846. Explain in writing the nature of the problem and why you feel you have not been offered a satisfactory solution. Be sure to include the Model Number of the product and a copy of the sales receipt. You will receive a response in 15 working days.

Note: This warranty applies solely to domestic sales and shipments made within the continental USA. It gives you specific legal rights in the USA, and you may have other rights imposed by one or more states in the USA.

